

THE SEARCH IS OVER™

RHINO FLEX™

*Severe Service
Pinch Valves*



SERIES - EN

ENCLOSED BODY PINCH VALVE

RHINOFLEX™

MANUFACTURED IN INDIA SINCE 2004 FOR SEVERE SERVICE SLURRY



APPLICATIONS

- Highly Abrasive /Corrosive Mineral Slurries
- Powders or Granular substances
- Power Stations
- Waste and Water Treatment
- Chemicals and Cement
- Pulp and Paper
- Pneumatic Conveying

OPTIONAL EXTRAS

- Dust Covers : PVC Bellows and Spindle cover.
- Instrumentation : Proximity Switches - Pneumatic Solenoid Valves.
- Stroke Adjustor for control applications

FEATURES

- Fully Cast Ductile Iron body and bonnet.
- Dual pinch mechanism
- Bubble-Tight shut-off even on trapped solids
- 100% Full bore full flow or reduced /conical bore for control applications.
- No Packing, less maintenance
- Fast and Easy field replaceable sleeve
- On-Off or Control applications

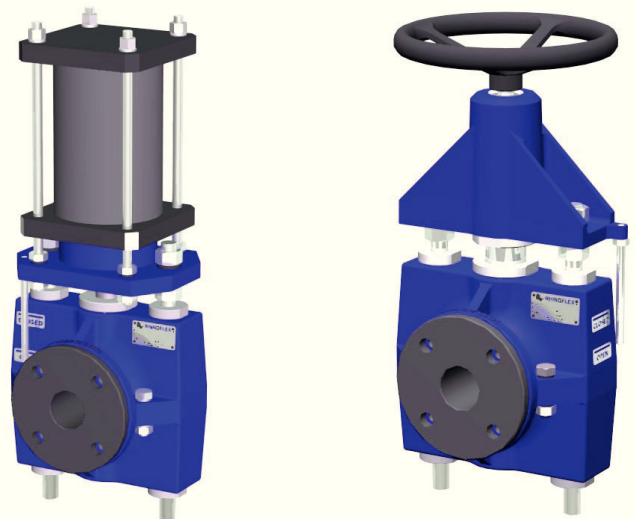
ACTUATORS

- Handwheel/bevel gear box
- Pneumatic Double Acting/Fail safe
- Electric Actuators/Fail safe
- Hydraulic Actuators/Fail safe

The RHINOFLEX EN-Series is a compact, rugged and robust Pinch Valve. These valves are reliable and maintenance free and are engineered and designed for highly abrasive and aggressive slurry applications. The series has a simple yet trustworthy design, consisting of two pinch bars that open and close the Elastomer sleeve.

The field replaceable sleeve is the only wetted part which is reinforced and fabricated using high quality elastomer materials, and provides for smooth operation with no clogging, jamming, etc., and can even close tight on solids. EN-series pinch valve is bidirectional and full bore. In the open position the valve will be as part of the pipe line, but when closed the simple standard mechanical operation using double pinch bar mechanism to compress the elastomer sleeve from top and bottom closing simultaneously at the centre to provide a bubble tight shutoff.

The RHINOFLEX 'Series-EN' Pinch Valve are fully flanged and can be drilled to suit all standard drilling patterns (ANSI, BS, TABLE D/E etc). With instrumentation, this valve can be used as a control valve and is available in a wide range of sleeve elastomer options.



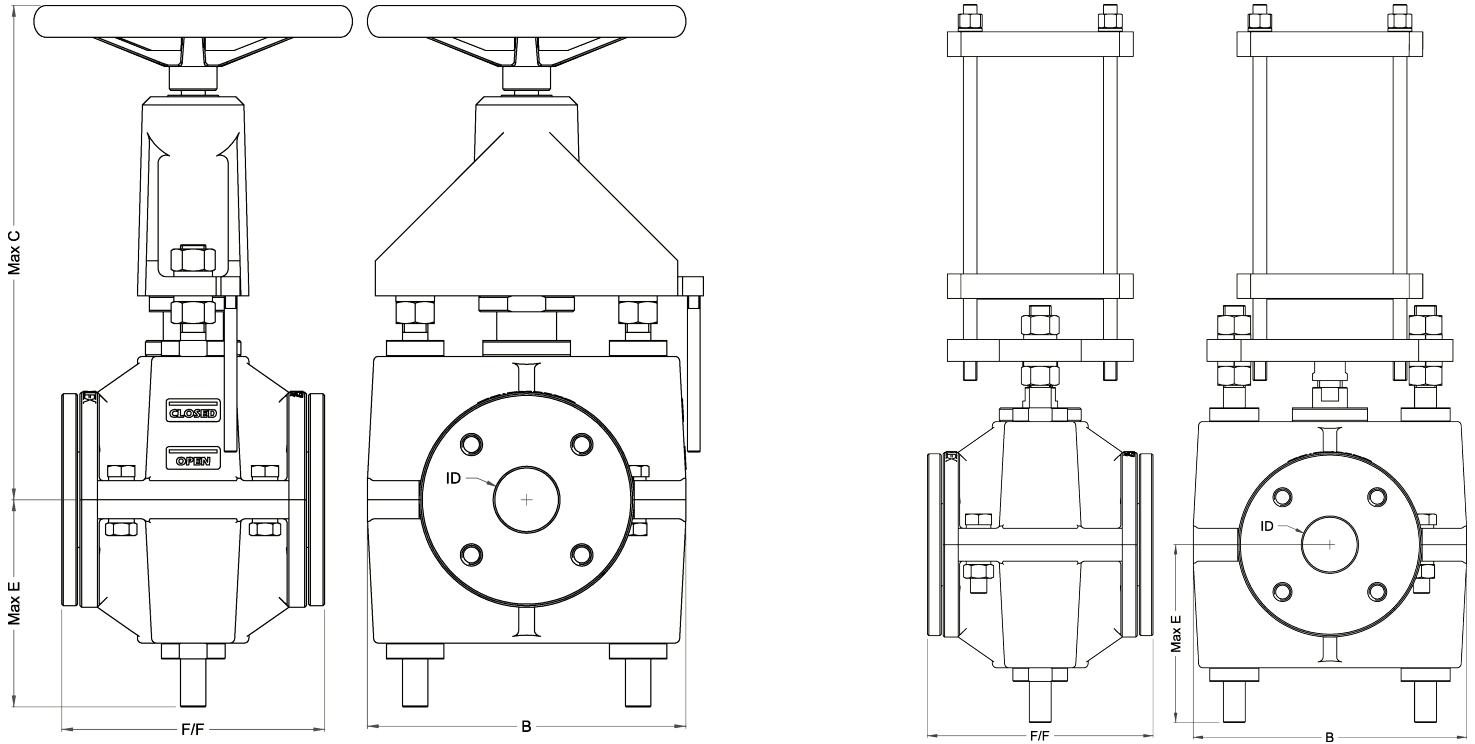
SERIES - EN

ENCLOSED BODY PINCH VALVE

RHINOFLEX™

MANUFACTURED IN INDIA SINCE 2004 FOR SEVERE SERVICE SLURRY

DIMENSIONS



SPECIFICATIONS

Valve Size (ID)		F/F		B		C		E		Pressure (bar)	Weight Manual Valves (Kg)	Weight Actuated Valves (Kg)
Inch	mm	Inch	mm	Inch	mm	Inch	mm	Inch	mm	Bar	FE	FE
1	25	6 1/2	165	5	200	10	255	3 1/2	87	1-25	11	8
1 1/4	32	6 1/2	165	5 1/2	200	10 1/4	260	3 1/2	90	1-25	14	10
1 1/2	40	6 1/2	165	7	200	10 1/2	265	4 1/4	105	1-25	16	12
2	50	6 1/2	165	7 1/2	230	11	280	4 3/4	120	1-25	18	13
2 1/2	65	6 1/2	165	8 1/4	230	12 1/4	310	5 1/2	136	1-25	22	17
3	80	8	200	9 3/4	260	14 1/2	370	6 1/8	155	1-25	36	27
4	100	10	250	11	300	16 1/8	410	7	175	1-25	46	33
5	125	12 1/4	310	13 1/2	340	18 1/4	465	8 1/4	210	1-25	74	48
6	150	14 3/4	375	16	450	22	560	9 1/2	240	1-16	106	75
8	200	20	500	19	520	27 1/8	690	11 1/2	295	1-10	159	119
10	250	24 3/4	625	22 1/2	600	34	865	15	380	1-6	213	161
12	300	29 1/2	750	28 1/2	720	40 1/4	1020	17 1/2	445	1	279	212

NOTE: All these dimensions are indicative only. Larger Sizes & Higher Pressures Available, Please Consult Office

RHINOFLEX AUSTRALIA PTY LTD.
4/7 Holder Way, Malaga,
Western Australia - 6090
Ph: +61 420832225
sales@rhinoflex.com.au
web: rhinoflexvalves.in



RHINOFLEX INDIA PVT.LTD.
NO. LG-15, Ashoka Mall,
Bund Garden Road, Pune 411001, India
Ph: +91 9699306878
sales@rhinoflexvalves.in
web: rhinoflexvalves.in

SERIES - RX

MANUAL PINCH VALVE

RHINOFLEX™

MANUFACTURED IN INDIA SINCE 2004 FOR SEVERE SERVICE SLURRY



The Series- RX Manual Pinch Valve, is one of the oldest designs and most widely used pinch valves across the world today. It has a Full port design, which eliminates all dead spots, clogging, or crevices where slurry can potentially compact and impair the flow.

The heart of this valve is the Rhinoflex high performance rubber sleeve and is the only wetted part. It also has the standard double pinch bars that provide a smooth reliable mechanical pinch operation.

The Series -RX pinch valve has excellent manual control characteristics and can be used for throttling control applications.

FEATURES

- Fully Enclosed body design
- Cost effective On Off or Control use
- Drip tight Bidirectional closure even on solids
- Dual pinching mechanism
- Reduced port or cone sleeves.
- Position indicator as standard
- 100% full port / minimum pressure drops
- Non-rising handwheel and stem
- Operating torques will remain constant over time.
- No scaling or build up
- Flanges tapped for ANSI# 125/150 / AS2129 TAB D/E/Etc
- Conforms to ANSI B16.10 Face to Face
- Interchangeable with Gate, Plug, and Ball Valves
- Can be installed in any position
- Positive opening tags standard

APPLICATIONS

- Highly Abrasive /Corrosive Mineral Slurries
- Powders or Granular substances
- Power Stations/FGD
- Lime control/Waste and Water Treatment
- Chemicals and Cement
- Food and Beverage
- General Industry

ACTUATORS

- Handwheel
- Bevel gear box
- Pneumatic Single/Double Acting/Fail safe
- Electric Actuators/Fail safe

OPTIONAL EXTRAS

- Conical sleeves for control applications
- Larger sizes and higher pressures
- Can be actuated with various options

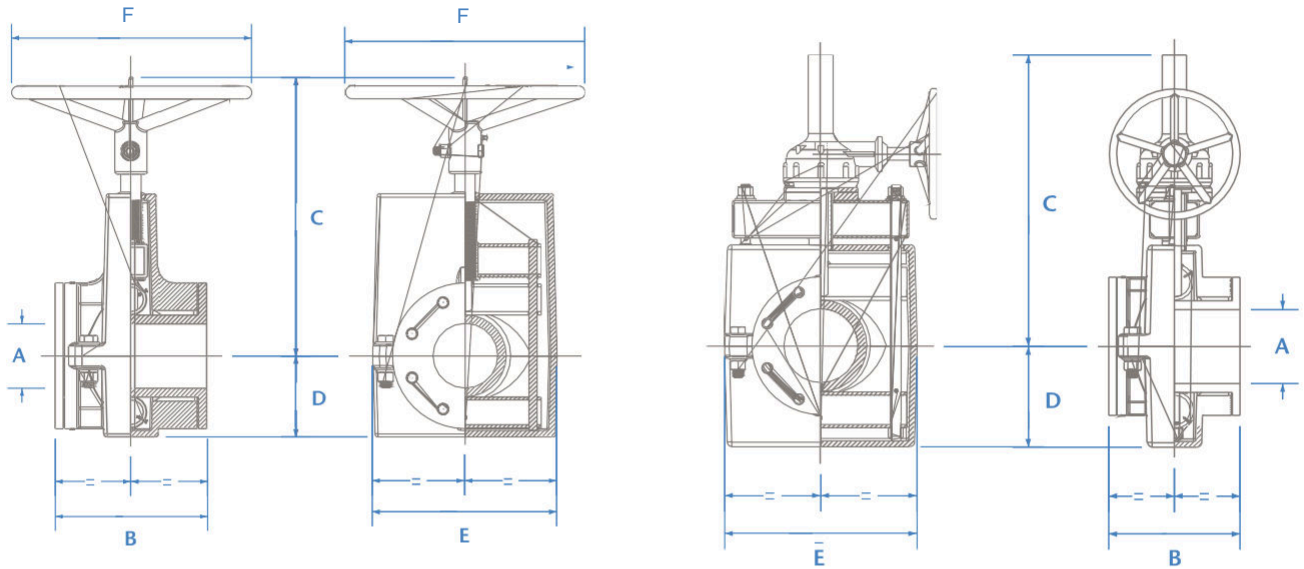
SERIES - RX

MANUAL PINCH VALVE

RHINOFLEX™

MANUFACTURED IN AUSTRALIA SINCE 2004 FOR SEVERE SERVICE SLURRY

DIMENSIONS



SPECIFICATIONS

Pipe Size	Length	Working Pressure psi.	Width E	D	C	Diameter F	Weight (est.) lbs
A	B						
1	5 1/2	150	5 1/4	3	7 1/2	4	12
1 1/2	6 1/2	150	5 3/8	4	7 1/2	4	25
2	7	150	7 1/8	4 1/2	9 3/8	8	34
2 1/2	7 1/2	150	9 3/4	5	9 3/8	8	43
3	8	150	8 1/4	5	10 1/2	8	52
4	9	150	9 1/2	5 1/2	12	12	123
5	10	125	12 1/2	6 1/2	16	11	200
6	10 1/2	125	13	8	18	18	300
8	16	75	18 1/2	10	22	22	345
10	20	75	22 1/2	11	24	22	410
12	24	75	25	12	25	22	472
14	28	50	29	14	29	30	588
16	32	50	33	15	32	30	930
18	36	50	35	16	35	36	1150
20	40	50	39	17	37	36	1300
24	48	50	50 1/2	23	43	48	1510

NOTE: All these dimensions are indicative only. Please confirm at time of order. Dimensions can be revised to suit custom specifications.

RHINOFLEX AUSTRALIA PTY LTD.
 4/7 Holder Way, Malaga,
 Western Australia - 6090
 Ph: +61 420832225
 sales@rhinoflex.com.au
 web: rhinoflexvalves.in

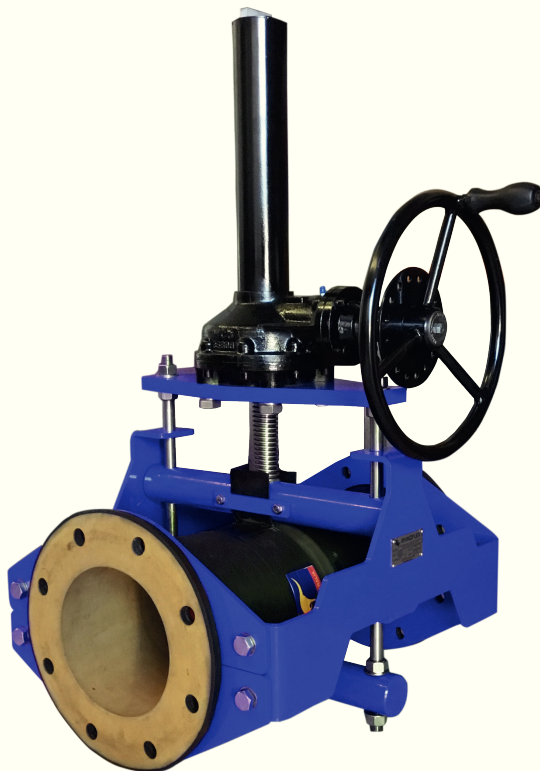


RHINOFLEX INDIA PVT.LTD.
 NO. LG-15, Ashoka Mall,
 Bund Garden Road, Pune 411001,
 India Ph: +91 9699306878
 sales@rhinoflexvalves.in
 web: rhinoflexvalves.in

SERIES - OF OPEN FRAME PINCH VALVE

RHINOFLEX™

MANUFACTURED IN INDIA SINCE 2004 FOR SEVERE SERVICE SLURRY



APPLICATIONS

- Hard Rock Mining
- Coal
- Soda Ash
- Mineral Sand
- kaolin
- Phosphate
- Pulp & Paper
- Cement
- General Industrial
- General Chemical
- Power Utilities
- Sand & Gravel
- Alumina

OPTIONAL EXTRAS

- Dust Covers : PVC Bellows and spindle cover.
- Instrumentation : Proximity Switches - Pneumatic Solenoid Valves
- Stroke Adjustor for control applications

FEATURES

- Fully Fabricated body in Carbon Steel and Stainless Steels
- Dual pinch mechanism
- Bubble-Tight shut-off even on trapped solids
- 100% Full bore full flow or reduced /conical bore for control applications.
- No Packing, less maintenance
- Fast and Easy field replaceable sleeve

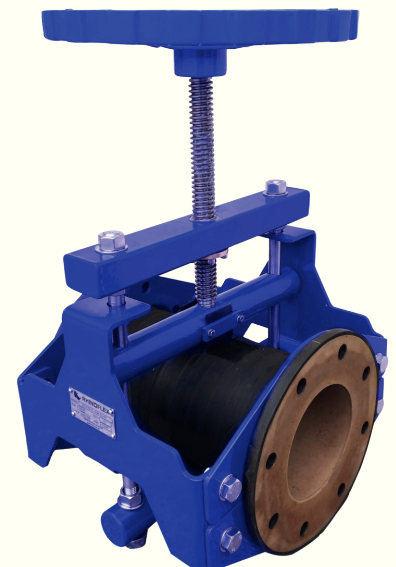
ACTUATORS

- Handwheel/bevel gear box
- Pneumatic Double Acting/Fail safe
- Electric Actuators
- Hydraulic Actuators

The RHINOFLEX 'Series-OF' pinch valve gives the end user the best of both worlds. It solves problem and demanding applications and offers the added features of a conventional Enclosed body pinch valve at a much better price. This pinch valve has the popular features of having a field replaceable sleeve, and can be fabricated to suit all non-standard Face to Face dimensions.

This RHINOFLEX 'Series-OF' pinch valve is Bi directional, full-flow, full bore, with no packing, glands, seats and seals, discs and shafts which could rust and malfunction. The pinch mechanism is extremely simple in design, with the centreline closing of two pinch bars, upon the rubber sleeve, which is the ONLY wetted part, and the heart of the valve.

The RHINOFLEX 'Series-OF' Pinch Valve are fully flanged and can be drilled to suit all standard drilling patterns (ANSI, BS, TABLE D/E etc).

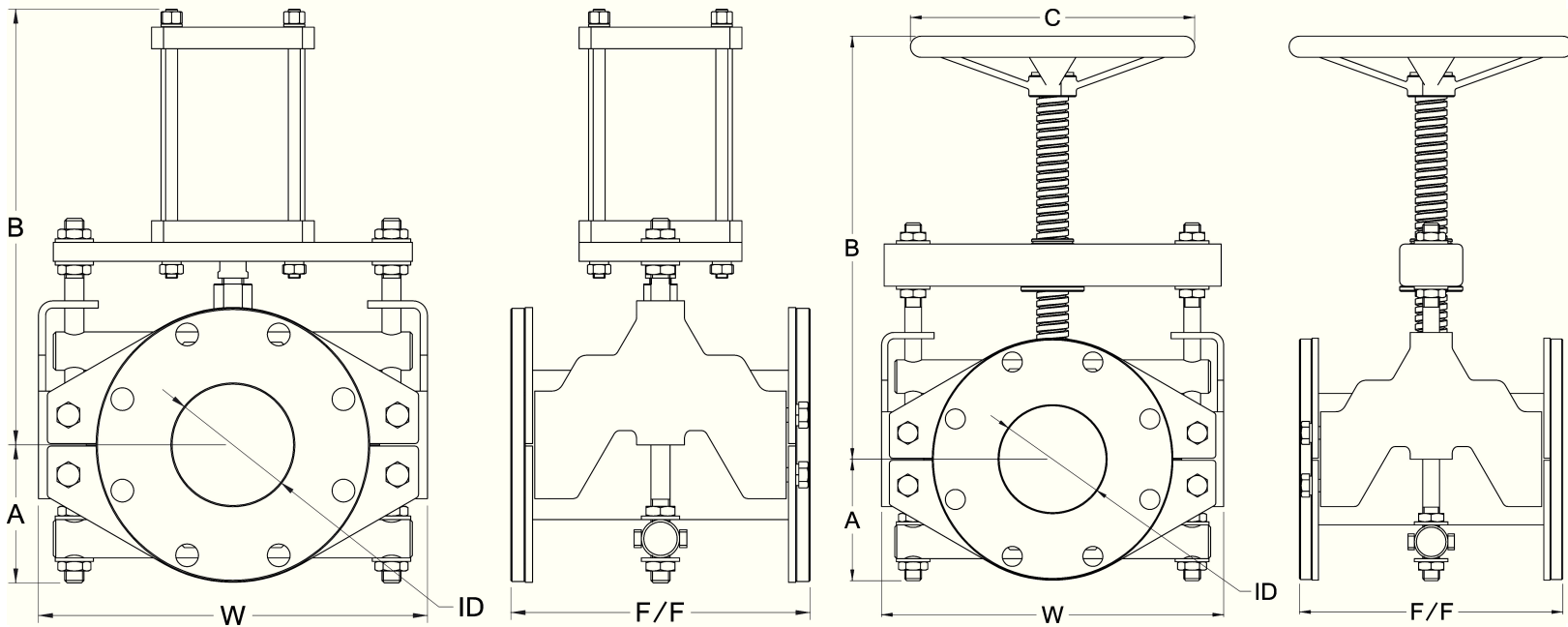


SERIES - OF OPEN FRAME PINCH VALVE

RHINOFLEX™

MANUFACTURED IN INDIA SINCE 2004 FOR SEVERE SERVICE SLURRY

DIMENSIONS



SPECIFICATIONS

ID	F/F		W		A		B		C		Max. Work Pressure		Weight (est.)		
	Inch	mm	Inch	mm	Inch	mm	Inch	mm	Inch	mm	PSI	BAR	Pound	Kg	
1	25	6 1/2	165	6	152	2 1/8	54	7 3/8	187	6	152	150	10	10	5
1 1/2	38	6 1/2	165	6 5/8	168	2 1/2	64	9	229	6	152	150	10	15	7
2	51	6 1/2	165	8 3/8	213	3	76	10 4/7	268	8	203	150	10	24	11
2 1/2	64	6 1/2	165	9 1/4	235	3 1/2	89	11 1/5	284	10	254	150	10	30	14
3	76	7 7/8	200	10 1/8	257	3 3/4	95	13 1/4	337	12	305	150	10	37	17
4	102	9 5/6	250	11 3/4	298	4 1/2	114	15 1/8	384	12	305	150	10	55	25
5	127	12 1/5	310	14	356	5	127	18	457	16	406	125	9	73	33
6	152	14 3/4	375	15 1/2	394	5 1/2	140	20	508	16	406	125	9	88	40
8	203	19 2/3	500	20	508	6 3/4	171	23	584	20	508	75	5	142	64
10	254	24 3/5	625	24	610	8	203	29 3/8	746	26	660	75	5	275	125
12	305	29 1/2	750	28	711	9 1/2	241	33 3/8	848	32	813	75	5	378	171
14	356	34 2/3	880	31 3/8	797	10 1/2	267	38 3/8	975	36	914	50	3	440	200
16	406	39 1/6	995	35	889	11 3/4	298	44	1118	40	1016	50	3	500	227
18	457	44 2/7	1125	37 1/4	946	12 1/2	318	47 4/7	1208	44	1118	50	3	550	249
20	508	49 1/5	1250	44	1118	13 3/4	349	44	1118	48	1219	50	3	650	295
24	610	59	1500	51 3/4	1314	16	406	54	1372	54	1372	50	3	900	408

NOTE: All these dimensions are indicative only. Please confirm at time of order. Dimensions can be revised to suit custom specifications.

RHINOFLEX AUSTRALIA PTY LTD.
4/7 Holder Way, Malaga,
Western Australia - 6090
Ph: +61 420832225
sales@rhinoflex.com.au
web: rhinoflexvalves.in



RHINOFLEX INDIA PVT.LTD.
NO. LG-15, Ashoka Mall,
Bund Garden Road, Pune 411001, India
Ph: +91 9699306878
sales@rhinoflexvalves.in
web: rhinoflexvalves.in

SERIES - QT

QUARTER TURN PINCH VALVE

RHINOFLEX™

ASSEMBLED IN INDIA SINCE 2004 FOR SEVERE SERVICE SLURRY



APPLICATIONS

- Highly Abrasive /Corrosive Mineral Slurries
- Powders or Granular substances
- Power Stations
- Lime control/Waste and Water Treatment
- Chemicals and Cement
- Food and Beverage
- General Industry

OPTIONAL EXTRAS

- Can be converted to Suit Flanges AS2129 Tab D/E etc
- Can be converted to threaded ends
- Positioners and instrumentation for control

FEATURES

- Fully Vinyl Ester moulded body
- Gear driven Cam-Dual pinch mechanism
- Bubble-Tight shut-off even on trapped solids
- 100% Full bore or reduced /conical bore for control applications.
- No Packing, less maintenance
- Fast and Easy field replaceable sleeve
- On-Off or Control applications
- Flange mounting to suit ASME B 16.5
- All standard elastomer sleeve options
- Easy to fit with standard Quarter turn Pneumatic actuator

ACTUATORS

- Hand-lever/ Quarter Turn bevel gear box
- Standard Pneumatic Single/Double Acting/Fail safe
- Electric Actuators/Fail safe

The Series-QT Quarter-Turn valve is a high flow capacity pinch valve. Designed for hard-to-handle fluids specially slurries. The valve interior consists of fabric reinforced elastomeric or PTFE lined Diaphragm Spool. The only wetted component of the valve. Two opposing gear driven cams, contain in a flanged split vinyl ester-fibreglass body, act on the Diaphragm Spool, providing flow control over the entire 90 degrees of valve stem travel. The valve exhibits negligible pressure drop in the open position and bubble-tight closure even around solids in the closed position. Where solids in the slurry make operation of the other types of valves, such as ball, plug and butterfly valves, extremely problematic, the Series-QT valve is ideally suited for slurries since there are no "dead zones" in the valve internals.



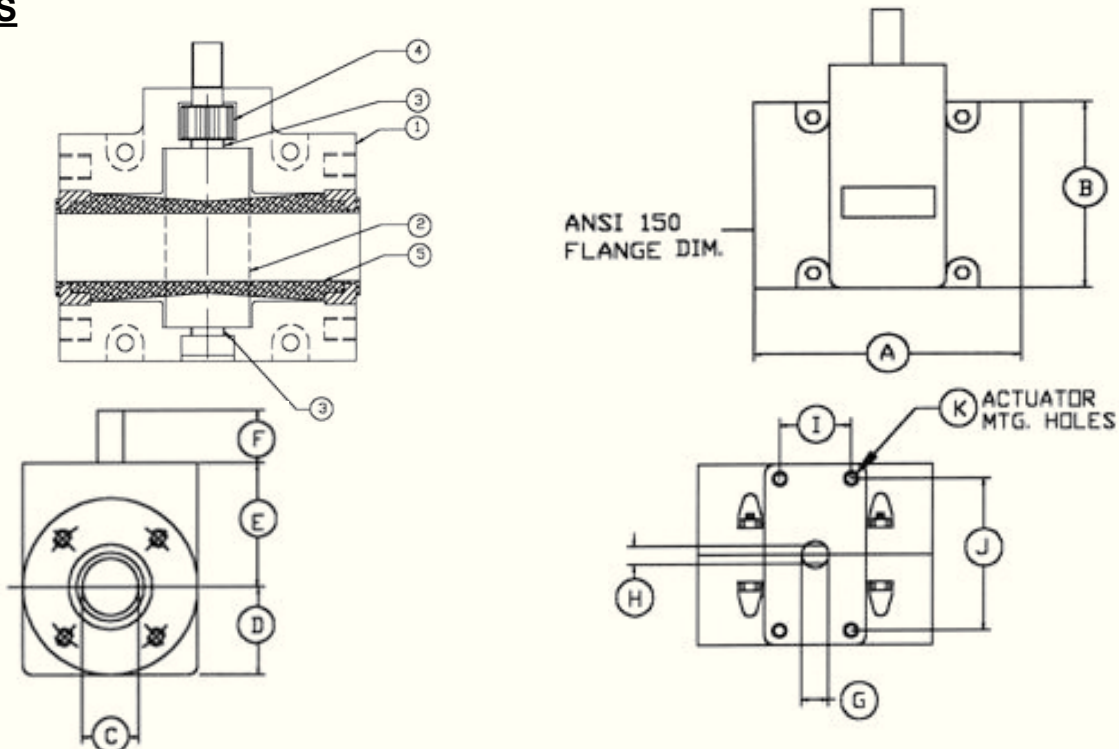
SERIES - QT

QUARTER TURN PINCH VALVE

RHINOFLEX™

ASSEMBLED IN INDIA SINCE 2004 FOR SEVERE SERVICE SLURRY

DIMENSIONS



VALVE SIZE (inches)						
	1/2	3/4	1	1 1/2	2	3
A	4.25	4.63	5.00	6.55	7.05	8.05
B	3.50	3.88	4.25	5.00	6.00	7.50
C	0.62	0.82	1.04	1.61	2.07	3.07
D	1.77	2.03	2.03	2.50	3.00	3.75
E	2.16	2.50	2.50	3.50	4.23	5.00
F	1.13	1.31	1.31	1.50	1.50	2.16
G	0.56	0.56	0.56	0.75	1.00	1.125
H	0.38	0.38	0.38	0.50	0.50	0.69
I	1.38	1.40	1.40	2.00	2.37	2.88
J	2.88	3.48	3.48	4.20	5.03	5.25
K	10-24	10-24	10-24	5/16-18	5/16-18	5/16-18
	.25dp	.25dp	.25dp	.25dp	.25dp	.25dp
WT	3.25	5.00	5.50	9.38	14.50	22.75
lbs.						

RHINOFLEX AUSTRALIA PTY LTD.
 4/7 Holder Way, Malaga,
 Western Australia - 6090
 Ph: +61 420832225
 sales@rhinoflex.com.au
 web: rhinoflexvalves.in



RHINOFLEX INDIA PVT.LTD.
 NO. LG-15, Ashoka Mall,
 Bund Garden Road, Pune 411001, India
 Ph: +91 9699306878
 sales@rhinoflexvalves.in
 web: rhinoflexvalves.in

SERIES - PJ

AIR JACKETED PINCH VALVE

RHINOFLEX™

MANUFACTURED IN INDIA SINCE 2004 FOR SEVERE SERVICE SLURRY



Rhinoflex Series-PJ, Air Jacketed pinch valves offers a simple, cost-effective design, perfect for handling extremely demanding abrasive materials. The valve's split body design allows quick and easy sleeve replacement, and is available in ductile iron, with flanged ends.

These valves are designed to operate on differential pressure. To operate the Rhinoflex PJ Pinch Valves, it takes about 25 psi (+/- 10 psi) of differential pressure to close the valve tight.

So as an example, if there is a flow of 15 psi running through the valve, expect to require a minimum of 40 psi on the control side to fully close the valve. The less the pressure, the greater the sleeve life.

APPLICATIONS

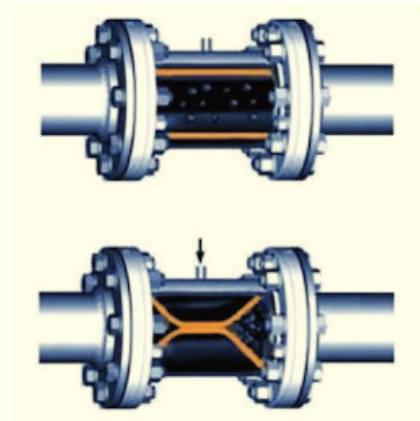
- Mineral Processing
- Power plants
- Bulk and solids handling
- Cement industry
- Waste water treatment
- Chemical industry
- Food and Beverage
- Ceramic-/Glass-/Plastic industry

OPTIONAL EXTRAS

- Double Wall sleeves / Reduced port sleeves
- Convert to threaded ends
- Optional solenoid control for remote use
- Optional booster relay for rough throttling

FEATURES

- Only one moving part
- Closes drop-tight on solids
- Body cavity acts as built-in actuator
- No cavities or dead spots to bind valve operation
- Full-port design/ Self-cleaning
- Long Cycle life
- No packing to replace or maintain
- Cost effective and maintenance free
- No extra or special actuator required
- Very fast opening/closing times
- Only one replaceable part (elastomer sleeve)
- Suitable for vacuum service



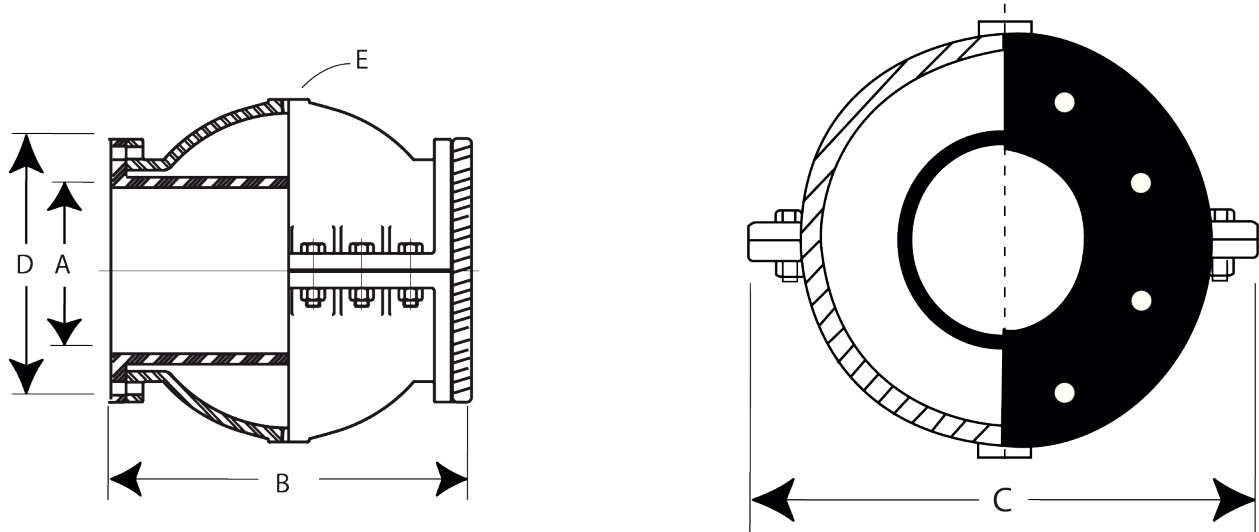
SERIES - PJ

AIR JACKETED PINCH VALVE

RHINOFLEX™

MANUFACTURED IN INDIA SINCE 2004 FOR SEVERE SERVICE SLURRY

DIMENSIONS



SPECIFICATIONS

Size A	Length B	Width C	Height D	Control Port E	Working Pressure	Weight Cast Iron
1/2	3	4 1/4	3 1/2	1/4" NPT	125	5
3/4	4	5	3 7/8	1/4" NPT	125	7
1	5	5 3/4	4 1/4	1/4" NPT	125	9
1 1/2	7	6 1/2	5	1/4" NPT	125	17
2	9	8 1/2	7 1/8	1/2" NPT	125	32
2 1/2	10	9	7 1/2	1/2" NPT	125	40
3	12	10	8 1/8	1/2" NPT	125	51
4	12 1/2	11 3/4	10 5/8	1/2" NPT	100	70
5	16 1/2	11 3/4	11 1/2	1/2" NPT	75	137
6	20	15 1/4	13 1/4	1/2" NPT	75	180
8	22	17 1/2	18	1/2" NPT	75	257
10	24	19 3/8	22 3/8	1" NPT	50	440
12	26	21 1/2	25	1" NPT	50	485
14	30	24	27 1/2	1" NPT	50	825
16	34	25	29 1/2	1" NPT	50	933
18	39	28 1/4	32 5/8	1" NPT	25	1300
20	43	29	36 1/2	1" NPT	25	1555
24	51	37 1/2	47	1" NPT	25	2525

NOTE: All these dimensions are indicative only. Please confirm at time of order. Dimensions can be revised to suit custom specifications.

RHINOFLEX AUSTRALIA PTY LTD.
4/7 Holder Way, Malaga,
Western Australia - 6090
Ph: +61 420832225
sales@rhinoflex.com.au
web: rhinoflexvalves.in



RHINOFLEX INDIA PVT.LTD.
NO. LG-15, Ashoka Mall,
Bund Garden Road, Pune 411001, India
Ph: +91 9699306878
sales@rhinoflexvalves.in
web: rhinoflexvalves.in

SERIES -XL

LARGE DIAMETER PINCH VALVES

RHINOFLEX™

MANUFACTURED IN INDIA SINCE 2004 FOR SEVERE SERVICE SLURRY



Rhinoflex Series-XL Large diameter pinch valves are offered in both Open Frame and Enclosed body models. These are available from 300mm/12- inch to 1000mm /40-inch nominal bore size range.

They have exactly all the same features of a standard pinch valve, with the sleeve being the wetted part only, and the wear component that can be replaced.

These valves are fully fabricated with Carbon Steel bodies, and 316 Stainless steel Tie rods and fittings.

These can be manufactured to various pressure ratings because they are all custom built, and can come with any configuration of full bore, reduced sleeve orifice, double wall, conical etc...for pre calculated flow parameters.

All standard actuation like Pneumatic, Electric, Hydraulic etc, can be used to operate these valves, and come in all standard flange drilling patterns. (ANSI#125/150, AS2129 Table D/E/H etc)

Contact our sales team to discuss your application.

RHINOFLEX AUSTRALIA PTY LTD.
4/7 Holder Way, Malaga,
Western Australia - 6090
Ph: +61 420832225
sales@rhinoflex.com.au
web: rhinoflexvalves.in



RHINOFLEX INDIA PVT.LTD.
NO. LG-15, Ashoka Mall,
Bund Garden Road, Pune 411001, India
Ph: +91 9699306878
sales@rhinoflexvalves.in
web: rhinoflexvalves.in

PINCH VALVE REPLACEMENT SLEEVES

RHINOFLEX™

MANUFACTURED IN INDIA SINCE 2004 FOR SEVERE SERVICE SLURRY



RHINOFLEX MANUFACTURES PINCH VALVE REPLACEMENT SLEEVES FOR ALL BRANDS AND MODELS

These are hand built sleeves, with various layers of special rubber, with polyester, wire mesh, or Kevlar reinforcement. These will close 100% bubble tight even on solids. RHINOFLEX replacement sleeves will outlast the original sleeves because of the highest quality materials, and the expert construction of manufacture. With a wide range of elastomers, RHINOFLEX can manufacture sleeves to 50 Bar and temperatures of 130 Degree Centigrade. A variety of end configurations are available to suit most designs. These are self- cleaning and will flake and wash off any scaling that builds up during operation.

PINCH VALVE REPLACEMENT SLEEVES

RHINOFLEX™

MANUFACTURED IN INDIA SINCE 2004 FOR SEVERE SERVICE SLURRY

SLEEVE ORDERING CODES

EXAMPLE CODE: **PGR150-375-10-6-F-N**

This code will refer to the following valve selection: Rhinoflex Replacement Sleeve, Pure gum Rubber Inner tube, 150mm Size, 375mm Length, 10 Bar, ANSl#150, Full flange, no opening tags

PGR **150** **375** **10** **6** **F** **N**

MATERIAL INNERTUBE	SIZE	LENGTH- MM	PRESSURE- BAR	FLANGE DRILLING	SHAPE FLANGE	AUXILIARIES
PGR = PURE GUM RUBBER	(DN) 25MM		1 = 1 BAR	2= DIN PN10	F =FULL FLANGE	OT =OPENING TAGS
SBR/T = STYRENE BUTADIENE	TO 1000 MM		6 = 6 BAR	3= DIN PN 16	B = BEADED END	N =NONE
NR= NATURAL RUBBER			10 = 10 BAR	4= DIN PN25	BV = BEVELLED BEADEND	X = OTHER
NBR = NITRILE RUBBER			16= 16 BAR	5= DIN PN40	SB = SQUARE BEADEND	SPECIFIED
NBRF= NITRILE FOODGRADE			25= 25BAR	6= ANSI150		
FPM = FLUORINE RUBBER			40= 40BAR	7=ANSI300		
EPDM =ETHYLENE PROPLENE			64= 64 BAR	D=AS2129D	SL= SLIPON COLLAR	
CR =NEOPRENE				E=AS2129E		
PU =POLYU POLYURETHANE				SD= SPECIAL DRILLING	SM= SLIP ON SMOOTH BORE	

PINCH VALVE REPLACEMENT SLEEVES

RHINOFLEX™

MANUFACTURED IN INDIA SINCE 2004 FOR SEVERE SERVICE SLURRY

SLEEVE ELASTOMER SELECTION

Pure Gum Rubber(PGR): Ideal for abrasive applications

Pure Gum Rubber(PGR) lined with Polyurethane(PU): For extreme abrasion

Styrene Butadiene Rubber(SBR): For Dry abrasive material / Jagged Pellets

Chloroprene Rubber/Neoprene(CR): For moderate chemicals/Weather resistant

Buna -N/Nitrile(NBR): For Hydrocarbons/oils/fats/greases/chemicals/Solvents

Chlorosulfonated Rubber/Hypalon(CSM): Excellent Ozone resistant/Acids

Chlorobutyl Rubber(CIIR): Excellent for Hot water/ General Purpose

Ethylene Propylene Rubber(EPDM): Organic fats, chemicals/Heat resistance

Fluorocarbon Rubber: Best for strong chemicals and high temperatures.

RHINOFLEX Pinch Valve Replacement Sleeves are available for ALL POPULAR BRANDS of Pinch Valves, in the same sizes, dimensions and Face to Face configurations. These are available to suit ALL models, and pressure ratings. Our hand built technology allows us to build to any custom design and specification, with a focus on very high quality, competitive pricing, and quick delivery.

REPLACE YOUR EXISTING SLEEVE AND GET GREATER SAVINGS AND WEAR LIFE

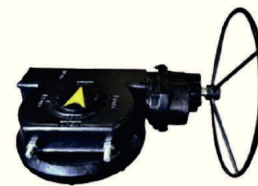
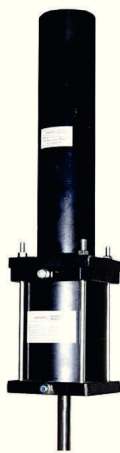
RHINOFLEX AUSTRALIA PTY LTD.
4/7 Holder Way, Malaga,
Western Australia - 6090
Ph: +61 420832225
sales@rhinoflex.com.au
web: rhinoflexvalves.in



RHINOFLEX INDIA PVT.LTD.
NO. LG-15, Ashoka Mall,
Bund Garden Road, Pune 411001, India
Ph: +91 9699306878
sales@rhinoflexvalves.in
web: rhinoflexvalves.in

ACTUATOR OPTIONS

- Hand Wheel/ Rising-None-Rising Stem
- Hand Wheel Bevel Gear/ Chain Drive
- Extended Hand Wheel
- Double Acting Pneumatic Actuator
- Double Acting Pneumatic Actuator with Manual Over-ride
- Single Acting Pneumatic Actuator (Fail open/close) Up to 40KN
- Single Acting Pneumatic Actuator (Fail open/close) with Manual Over-ride
- Double Acting Pneumatic Actuator with Positioner/ Position Indicator
- Electric / Hydraulic Actuators



INSTRUMENT OPTIONS

- Switch Box Enclosures (all IP Ratings)
- Position Indicators
- Electropneumatic Positioners (SMART)
- Limit Switches (Mechanical / Sensor)



VALVE ORDERING CODES

RHINOFLEX™

MANUFACTURED IN INDIA SINCE 2004 FOR SEVERE SERVICE SLURRY

EXAMPLE CODE: **RFOFPGR100-HW-6-E-CS-OT**

This code will refer to the following valve selection : Rhinoflex Open Frame body, Pure Gum Rubber Sleeve, 100mm size, Hand-Wheel operated, 6 Bar, AS2129 Table flange dilling, carbon steel Body material, opening tags.

RFEN	PGR	100	HW	6	E	CS	OT
MODEL-RF	MATERIAL INNERTUBE	SIZE	ACTUATOR	PRESSURE	FLANGE DRILLING	BODY MATRL	AUXILIARIES
EN= Enclosed Body OF= OPEN FRAME PJ= AIRJACKETED QT= SERIES QT RX= Manual Valve XL= Large Diameter	PGR = PURE GUM RUBBER SBR/T = STYRENE BUTADIENE NR = NATURAL RUBBER NBR = NITRILE RUBBER NBRF = NITRILE FOODGRADE FPM = FLUORINE RUBBER EPDM = ETHYLENE PROPLENE CR = NEOPRENE PU = POLYU POLYURETHANE	(DN) 25MM TO 1000MM	HW -HANDWHEEL P - PNEUMATIC GB -BEVEL GEAR Y - ELECTROPNEUMATIC POSITIONER SP - PNEUMATIC SPRING TO OPEN ORCLOSE H - HYDRAULIC ACTUATOR HY - WITH HYDRAULIC POSITIONER HEM - WITH ELECTROMECHANICAL POSITIONER	1 = 1 BAR 6 = 6 BAR 10 = 10 BAR 16 = 16 BAR 25 = 25 BAR 40 = 40 BAR	2 = DIN PN10 3 = DIN PN16 4 = DIN PN25 5 = DIN PN40 6 = ANSI150 7 = ANSI300 SD = SPECIAL DRILLING	CI = CAST IRON CS = CARB ON STEEL SS = STAIN LESS STEEL	OT = OPENING TAGS LS = LIMIT SWITCHES Z = SOLENOID VALVE X = OTHER SPECIFIED

RHINOFLEX AUSTRALIA PTY LTD.
4/7 Holder Way, Malaga,
Western Australia - 6090
Ph: +61 420832225
sales@rhinoflex.com.au
web: rhinoflexvalves.in



RHINOFLEX INDIA PVT.LTD.
NO. LG-15, Ashoka Mall,
Bund Garden Road, Pune 411001, India
Ph: +91 9699306878
sales@rhinoflexvalves.in
web: rhinoflexvalves.in